

## FLEXDRIVE

### DRIVE SPEED SELECT DIAL

Available for the SJ519 TH, Skyjack's FLEXDRIVE option allows the operator to reduce drive speed while keeping all function speeds the same. By allowing low travel speed at high engine RPM, the operator is able to creep forward and reverse while maintaining all function and hydraulic performance required to complete the job.



## OPTIONAL FEATURES

### CARRIAGES & ADDITIONAL ATTACHMENTS

Skyjack's TH Series telehandlers offer a wide variety of carriages, fork options, and additional attachments designed to increase telehandler productivity to help you tackle ever-changing jobsites.



## ELEVATE

### MORE THAN TELEMATICS

ELEVATE provides the actionable insights to make your business more efficient. Skyjack has worked with customers to identify and provide the most important data points that solve day-to-day pain points in rental service and management.

Beyond hours and location provided by basic telematics systems, ELEVATE delivers machine-specific alerts and analysis which can dramatically reduce unnecessary service calls and trips to site for diagnostic work.

These Skyjack specific group of features deliver immediate impact for your business:

- Machine fault codes
- Live engine data & history
- DEF warnings (where applicable)

## ELEVATE LIVE

The QR code located on the unit provides easy access to machine-specific information, for example; emergency lowering procedure, visual pre-check guide, and familiarization videos, via any smart phone (No app or password required).

ELEVATE Live is further enhanced by the optional ELEVATE telematics solution.



**Skyjack Head Office**  
55 Campbell Rd.  
Guelph, ON Canada N1H 1B9

Sales Inquiries: 1-877-755-4387 (1-877-SJLIFTS)  
Main Switchboard: 1-800-265-2738  
Tel: 519-837-0888  
Fax: 519-837-8104  
Email: skyjack@skyjack.com

[www.skyjack.com](http://www.skyjack.com)

This brochure is for illustrative purpose only and based on the latest information at the time of printing. Skyjack Inc. reserves the right to make changes at any time, without notice, to specifications, standard and optional equipment. Consult the Operating Maintenance and Parts Manuals for proper procedures.

## TH SERIES TELEHANDLERS



**SKYJACK**  
simply reliable



## SIMPLY RELIABLE

Skyjack's focus on designing machines for the rental industry contributes to leading life cycle value achieved through:

- Competitive acquisition costs
- Consistently high residual values
- A reputation for robustness and reliability

Minimal machine downtime keeps units out on rent longer, earning you more money. Proven designs are what make all Skyjack models simply reliable.

## DESIGNED FOR RENTAL

Skyjack became an industry leader by providing machine features that combine durability, quality, and serviceability, making our products world renowned for product reliability.

## TH SERIES TELEHANDLERS

Skyjack telehandlers extend our principle of simple reliability into material handling equipment. Our TH Series is designed with all major service points easily accessible, limiting downtime and increasing our customers' utilization. With a variety of proprietary features, Skyjack's TH Series offer the rental industry's best life cycle value.



Model	Capacity	Height	Reach	Weight	Wheelbase	Height	Height	Height	Speed	Weight
SJ519 TH	5,500 lbs (2,495 kg)	19' 1" (5.82 m)	4,400 lbs (1,996 kg)	11' 1" (3.38 m)	2,000 lbs (907 kg)	6' 4" (1.93 m)	5' 11.5" (1.81 m)	13' 5" (4.09 m)	15 mph (24 km/h)	10,600 lbs (4,808 kg)
SJ643 TH	6,000 lbs (2,722 kg)	43' 4" (13.21 m)	6,000 lbs (2,722 kg)	28' 7" (8.71 m)	1,000 lbs (454 kg)	7' 11" (2.41 m)	8' 5" (2.56 m)	19' 6" (5.94 m)	17 mph (27 km/h)	20,706 lbs (9,392 kg)
SJ843 TH	8,000 lbs (3,629 kg)	43' 4" (13.21 m)	6,000 lbs (2,722 kg)	28' 7" (8.71 m)	1,900 lbs (862 kg)	7' 11" (2.41 m)	8' 5" (2.56 m)	19' 6" (5.94 m)	17 mph (27 km/h)	23,006 lbs (10,435 kg)
SJ1044 TH	10,000 lbs (4,535 kg)	44' 3" (13.49 m)	7,000 lbs (3,175 kg)	29' 4" (8.94 m)	1,800 lbs (816 kg)	8' 1" (2.47 m)	8' 5" (2.56 m)	21' 2" (6.45 m)	15 mph (24 km/h)	28,226 lbs (12,803 kg)
SJ1056 TH	10,000 lbs (4,535 kg)	56' 3" (17.14 m)	6,000 lbs* (2,722 kg)	42' 2" (12.85 m)	3,000 lbs* (1,361 kg)	8' 1" (2.47 m)	8' 5" (2.56 m)	22' 2" (6.75 m)	15 mph (24 km/h)	33,336 lbs (15,121 kg)
SJ1256 THS	12,000 lbs (5,443 kg)	56' 3" (17.14 m)	7,000 lbs* (3,175 kg)	42' 4" (12.90 m)	3,500 lbs* (1,588 kg)	8' 6" (2.59 m)	8' 5" (2.56 m)	23' 1" (7.03 m)	15 mph (24 km/h)	36,625 lbs (16,613 kg)

\*Outriggers down

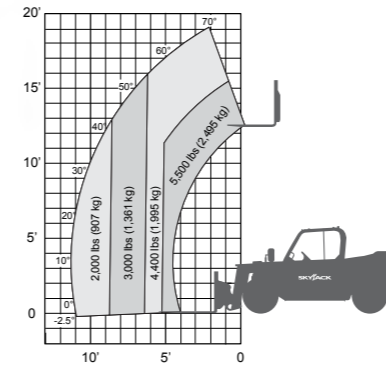
# NEW

Skyjack's TH Series has been updated to increase machine reliability and longevity, while continuing to offer best in class serviceability.

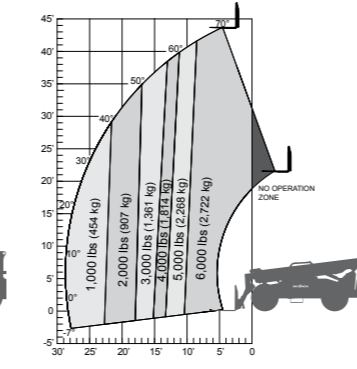
- A new dual-tilt compensation cylinder design improves load distribution and reliability.
- New maintenance-free (greaseless) main bearings.
- A relocated ECU for easier service access.
- A new high-pressure filter system and improved hydraulic tank design – significantly reducing contamination.
- New durable and rental yard repairable steel engine cowling.
- New ergonomic seat with improved weather protection.



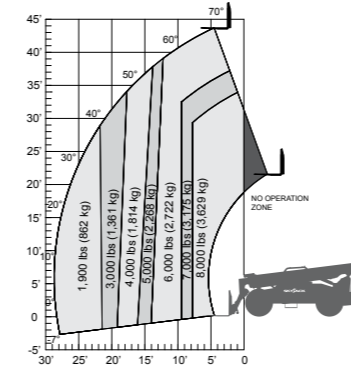
SJ519 TH



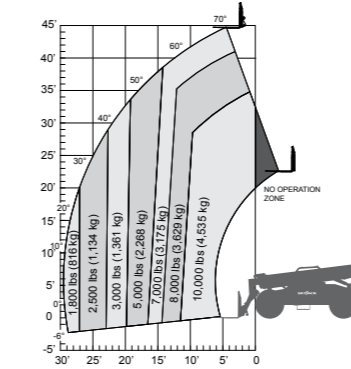
SJ643 TH



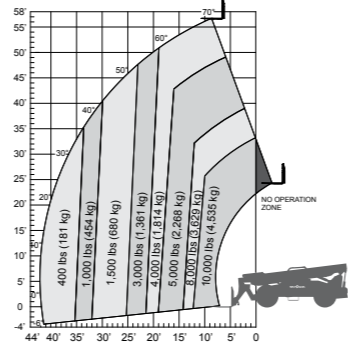
SJ843 TH



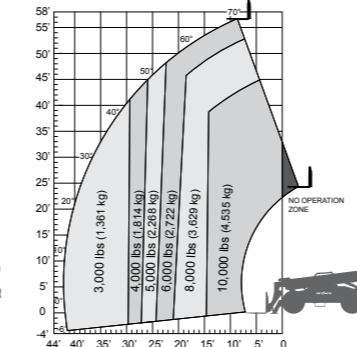
SJ1044 TH



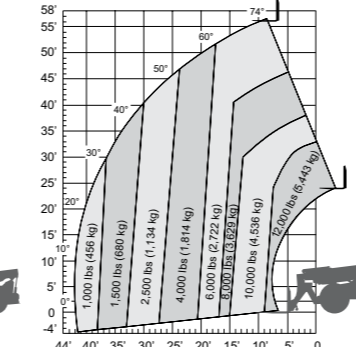
SJ1056 TH  
OUTRIGGERS UP



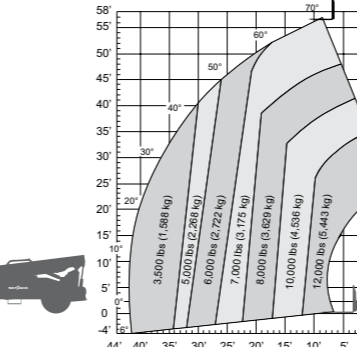
SJ1056 TH  
OUTRIGGERS DOWN



SJ1256 THS  
OUTRIGGERS UP



SJ1256 THS  
OUTRIGGERS DOWN



## SMARTORQUE™

### WHERE POWER MEETS EFFICIENCY

Through the use of improved gearing and a high-efficiency hydraulics package, Skyjack's TH Series' 74 hp engines deliver the same on-site job performance as higher horsepower units. SMARTORQUE™ is also engineered to require NO DPF, NO DEF, and NO other active exhaust aftertreatment.

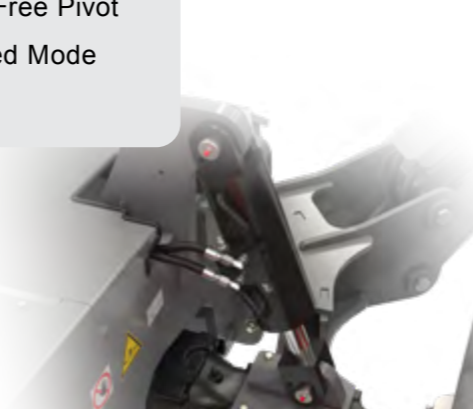


## RAS

### INCREASED STABILITY

Skyjack's unique Rear Axle Stabilization (RAS) system increases stability and provides jobsite flexibility with 3 mode operation:

- Normal Free Pivot
- Restricted Mode
- Locked



## FLEXCAB™

### INCREASED CAB FLEXIBILITY

Skyjack's TH Series telehandlers feature an innovative cab design that allows fleet operators to easily convert between open and enclosed cabs with simple hand tools, providing increased flexibility for fleet movement and fast response to customer demands. Bolt-on/off window retention system leads to increased uptime, and minimizes costs incurred when replacing glass.



## SKYCODED™

### COLOR CODED & NUMBERED WIRING

At the heart of every Skyjack machine, proven and simplistic control systems using Skyjack's color coded and numbered wiring system make our machines the easiest to troubleshoot and repair (No multiplex or CAN Bus components). Using a relay-based control system allows Skyjack's telehandlers to operate with simpler components – less maintenance and lower costs.



## READYHOOK™

### INCREASED UTILIZATION

Skyjack's yoke-mounted lifting hook is standard on TH Series telehandlers. With capacities that match the maximum lift capability of the telehandler, the hook allows the safe under-slinging of loads and avoids the practice of using the forks as an underslung lifting device.

